

HLR 150-14 Manual Reset Relay (PULL-TO-RESET)

Two (2) position, three (3) way Universal Ported, pilot pressure operated, manual reset flow control valve with a Latch Pin and knob. This model is designed specifically to allow for easier than normal manual shut-in (pushing inward) with a Pilot Supply pressure of 100 PSI or greater applied.

The HLR 150-14 is a Pull-to-Operate flow control valve used to open and close automatic actuators for oil/gas well operations or related safety systems. Its Latch Pin assembly allows Inlet to Outlet flow (By-Pass) to be established without the application of Pilot Supply Pressure.

**Design Features:**

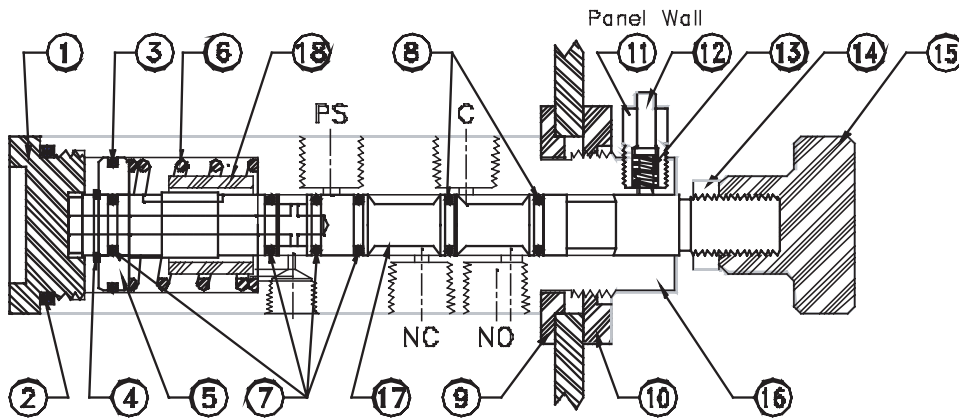
Dimensions: 1.500" Dia. X 8.000" L.

Pilot Supply Pressure - 30 PSI Min., 200 PSI Max.

Supply Pressure - 200 PSI Max.

Connections: 1/4" - 18 NPT

Weight: 2.5 lbs.



BILL OF MATERIAL

ITEM	PART NAME	PART NUMBER	MATERIAL
1.	Retainer	7817M89	316SS
2.	O-Ring	AS-121V75	Viton
3.	O-Ring	AS-119V75	Viton
4.	Retainer Ring	.500 ERR	316SS
5.	Piston	7813H	316SS
6.	Spring	1.095X1.25X62	316SS
7.	O-Ring (4)	AS-012VTC75	Viton Teflon Coated
8.	O-Ring (2)	AS-012VTC95	Viton Teflon Coated
9.	Panel Jam	7818A	Delrin
10.	Nut	7816	Delrin
11.	Cap	7814A	316SS
12.	Pin	7815B	316SS
13.	Spring	.210X.375X22	316SS
14.	Nut	1/2 - 20	316SS
15.	Knob	8155	Delrin
16.	Body	2-73	316SS
17.	Stem	3-57	316SS
18.	Spacer	35-7	Delrin

OPERATION NOTES

To operate with a pilot supply, pull knob outward. To operate without Pilot Supply (By-Pass), Pull knob outward, depress Pin (item #12). Pin will automatically release when Pilot Supply is restored.

Other Models of the HLR 150-14 Series Manual Reset Relay include:

HLR 150-14AM - Automatic/Manual Relay

HLR 150-14U - for CO2 service

HLR 150-14FM - Field Mount (No Panel Nut)